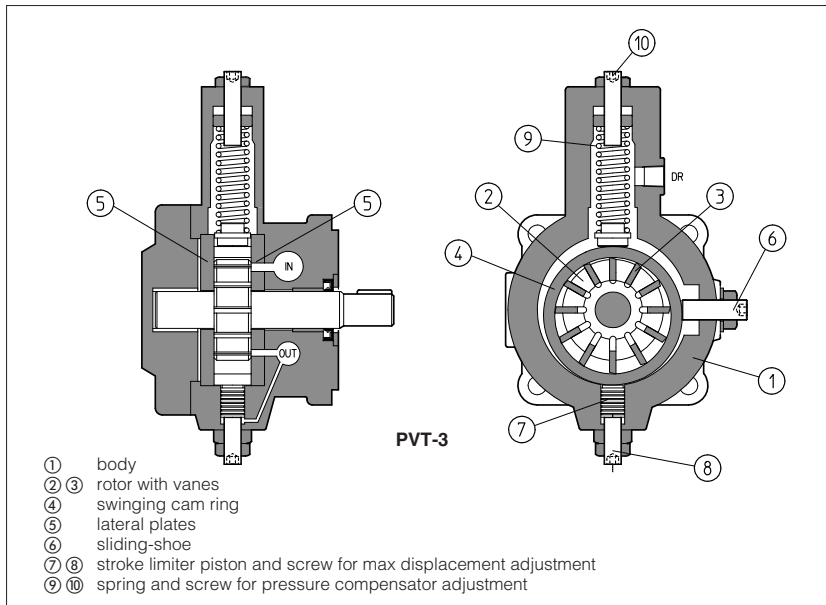


Vane pumps type PVT

variable displacement

Available only on request



PVT are variable displacement vane pumps equipped with mechanical compensator ⑨ ⑩ for outlet pressure and max displacement adjustment ⑦, ⑧.

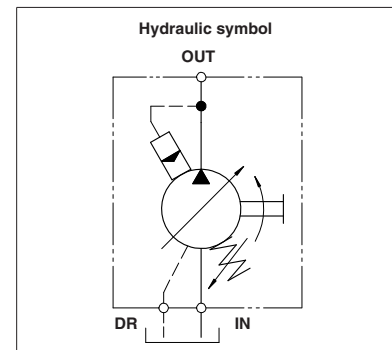
These low-noise pumps are available in 2 different sizes and are designed to operate with anti-wear oil according to DIN 51524...535 and fire-resistant fluids with same lubricating characteristics.

Wide variety of displacements: from 6,6 up to 23,3 cm³/rev.

Max pressure up to 70 bar.

1 MODEL CODE

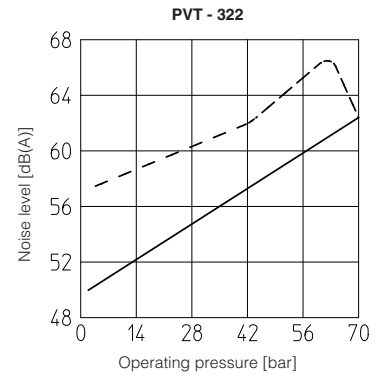
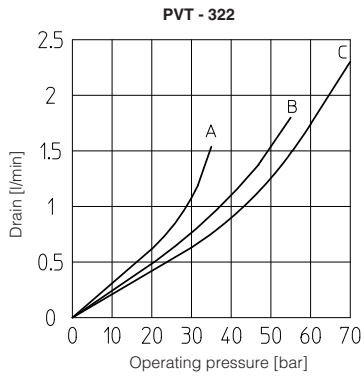
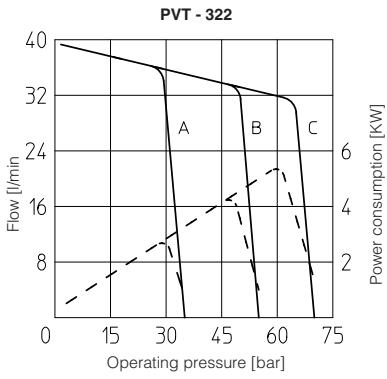
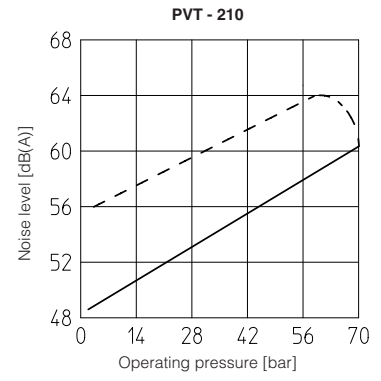
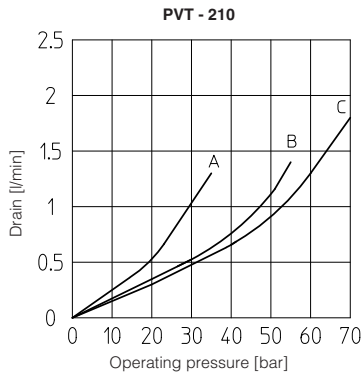
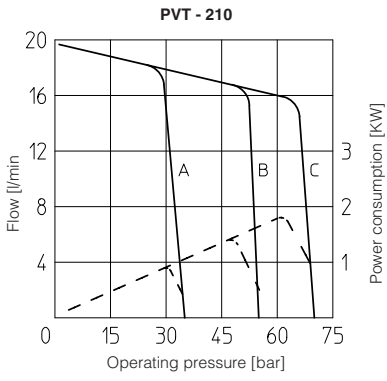
PVT	-	3	16	/	35	-	**
variable displacement vane pump							Design number
Conventional dimension:							
2							
3							
Conventional displacement according to ISO 3662:							
10 (dimension 2)							
22 (dimension 3)							
Pressure compensator calibration range:							
- = 30 ÷ 55 bar							
35 = 15 ÷ 35 bar							
70 = 50 ÷ 70 bar							



2 MAIN CHARACTERISTICS

Model	PVT-210	PVT-322
Max displacement [cm ³ /rev]	11,3	23,3
Flow rate at 1450 rpm and 7 bar [l/min]	16,4	33,8
Max operating pressure [bar]	70	70
Max available torque on first shaft [Nm]	40	120
Inlet port	RC (conical gas) 1/2"	RC (conical gas) 3/4"
Outlet port	RC (conical gas) 3/8"	RC (conical gas) 1/2"
Drain port	RC (conical gas) 1/4"	RC (conical gas) 1/4"
Recommended pressure on inlet port [bar]	-0,5 ÷ +1,5	
Max pressure at drain port [bar]	1	
Drain [l/min]	from 1 to 2.5 - continuous -	
Min/max shaft speed [rpm]	800/1800	
Direction of rotation	Clockwise rotation	
Installation position	Any	
Loads on the shaft	Radial or axial loads on shaft not allowed	
Ambient temperature	from -20°C to +70°C	
Fluid	Hydraulic oil as per DIN 51524 535; for other fluids consult our technical office	
Recommended viscosity	23÷45 mm ² /s at 40°C (ISO VG22-46). For cold start-up and "0" pressure max: 400 mm ² /s	
Fluid contamination class	ISO 19/16 achieved with in line filters at 25µm and β ₂₅ ≥ 75 (recommended)	
Fluid temperature	max +70°C	

3 DIAGRAMS



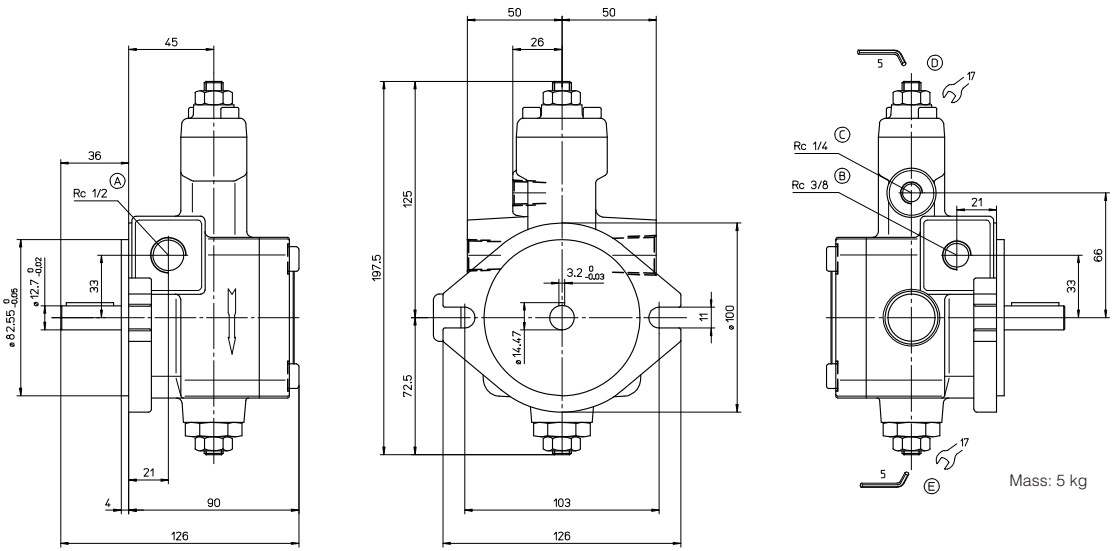
————— Pressure versus flow diagram
 - - - - - Power consumption at max flow rate

A = setting 15-35 bar (/35)
B = setting 30-55 bar (std)
C = setting 50-70 bar (/70)

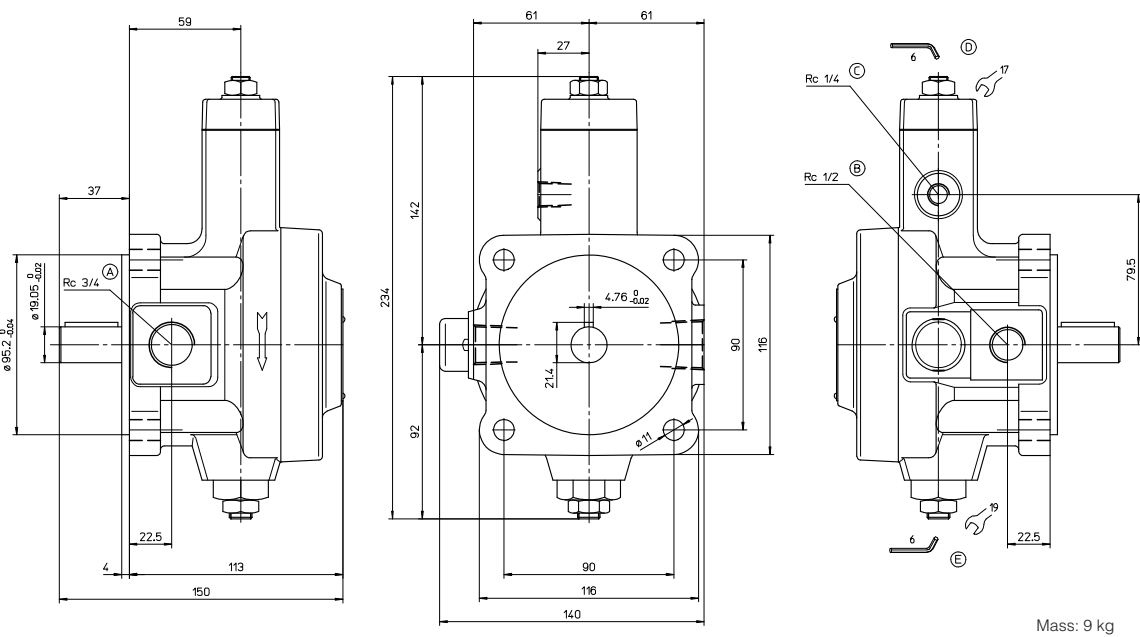
Noise measured with ambient conditions, according to ISO 4412-1
 - - - - - max. flow
 ————— null flow

4 DIMENSIONS [mm]

PVT-210



PVT-322



- (A) inlet port
- (B) outlet port
- (C) drain port
- (D) screw for pressure compensator adjustment
- (E) screw for max displacement adjustment