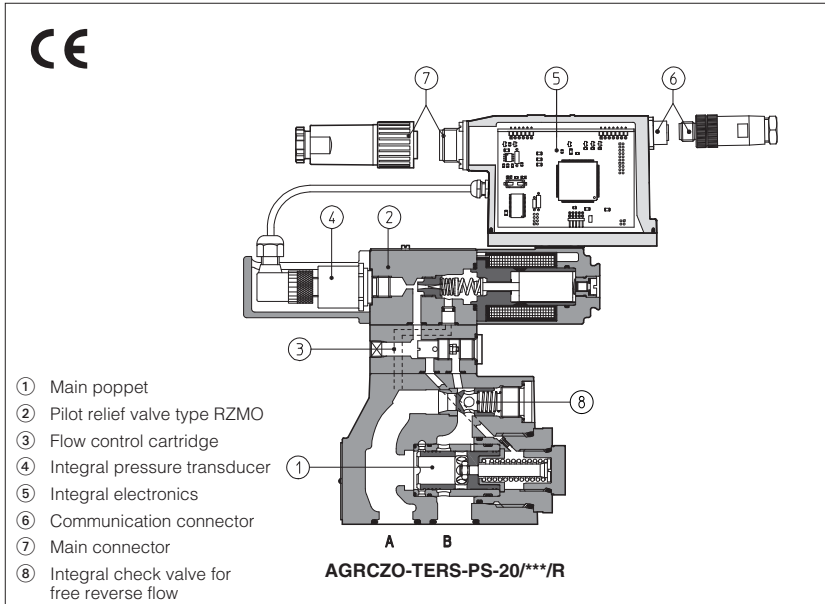


Proportional reducing valves type AGRCZO-TERS, AERS

two stages, with integral or remote pressure transducer, ISO 5781 size 10 and 20

TERS and AERS execution included in this table is available only for running supplies or spare parts
For new applications it is suggested new REB and RES executions, see table FS055



AGRCZO are two-stage normally closed proportional pressure reducing valves with integral or remote pressure transducer which provide pressure regulation proportional to electronic reference signal.

They operate in association with electronic drivers, see table 2 which supply the proportional valve with proper current signal to align valve regulation to the reference signal supplied to the electronic driver.

They are available in different executions:

- -TERS with integral pressure transducer ④ plus digital electronics ⑤ preset in closed loop, featuring improved static and dynamic performances.
- -AERS as -TERS but without integral pressure transducer (predisposed for connection of remote pressure transducer).

The piloting pressure to the main poppet ① is modulated by a proportional pilot pressure relief valve type RZMO ②, see tab. F010. A modular pressure compensated flow control cartridge ③ assures constant pilot flow and therefore high pressure stability.

The integral electronics ensures factory presetting, fine functionality plus valve-to-valve interchangeability and simplified wiring and installation.

The electronic main connector ⑦ is fully interchangeable for -TERS and -AERS executions. Standard 7 pin connector is used for power supply, analog input reference and monitor signals.

12 pin connector is used option /Z.

Following communication interfaces ⑥ are available:

- -PS, Serial communication interface for configuration, monitoring and firmware updating through Atos PC software
- -BC, CANopen interface
- -BP, PROFIBUS DP interface

The valves with -BC and -BP interfaces can be integrated into a fieldbus communication network and thus digitally operated by the machine control unit.

The coils are fully plastic encapsulated (insulation class H), and the valves have antivibration, antishock and weather-proof features.

Surface mounting: ISO 5781 size 10 and 20.
 Max flow: 160, 300 l/min respectively
 Max pressure: 350 bar.

1 MODEL CODE

AGRCZO - TERS - PS - 10 / 315 / * ** / *

Proportional pressure reducing valve

TERS = with integral digital electronics and pressure transducer

AERS = as TERS but predisposed for connection of remote pressure transducer (to be ordered separately, see tab. G460)

Communication interfaces:

PS = Serial
BC = CANopen
BP = PROFIBUS-DP

Size: **10, 20**

Pressure range:

100 = 100 bar
210 = 210 bar
315 = 315 bar
350 = 350 bar

Seals material:
 omit for NBR (mineral oil & water glycol)
PE = FPM

Series number

Hydraulic options:

P = with integral mechanical pressure limiter;

R = with integral check valve for free reverse flow;

Electronic options, see section 6:

I = current reference input and monitor (4 ÷ 20 mA) signals

Z = double power supply, enable fault and monitor signals (12 pin connector)

C = remote pressure transducer with current feedback 4÷20 mA (only for AERS executions)

2 ELECTRONIC DRIVERS FOR AGRCZO

| Valve model | -TERS | -AERS |
|---------------|-----------|-----------|
| Drivers model | E-RI-TERS | E-RI-AERS |
| Data sheet | G205 | |

Note: for power supply and communication connector see section 11

3 HYDRAULIC CHARACTERISTICS (based on mineral oil ISO VG 46 at 50 °C)

| | AGRCZO-*ERS | AGRCZO-*ERS*/P | AGRCZO-*ERS*/R | AGRCZO-*ERS*/PR |
|---|-------------|----------------|---|-----------------|
| Valve type | | | | |
| Size | | 10 | | 20 |
| Max regulated pressure (Q = 10 l/min) [bar] | | | 100; 210; 315; 350 | |
| Min regulated pressure at port A [bar] | | | 1; (3 for /350) | |
| Max pressure at port B [bar] | | | 350 | |
| Max pressure at port A [bar] | | | 350 | |
| Max flow [l/min] | | 160 | | 300 |
| Response time 0 - 100% step signal (depending on installation) - see section 9.4 [ms] | | 45 | | 50 |
| Hysteresis [% of the max pressure] | | | ≤ 0,5 | |
| Linearity [% of the max pressure] | | | ≤ 1,0 | |
| Repetability [% of the max pressure] | | | ≤ 0,2 | |
| Thermal drift | | | zero point displacement < 1% at ΔT = 40°C | |

4 MAIN CHARACTERISTICS OF PROPORTIONAL PRESSURE REDUCING VALVES TYPE AGRCZO

| | |
|----------------------------------|---|
| Assembly position | Any position |
| Subplate surface finishing | Roughness index Ra 0,4 - flatness ratio 0,01/100 (ISO 1101) |
| Ambient temperature | -20°C ÷ +50°C for -TERS and -AERS |
| Fluid | Hydraulic oil as per DIN 51524 ... 535 for other fluids see section I |
| Recommended viscosity | 15 ÷ 100 mm ² /s at 40°C (ISO VG 15÷100) |
| Fluid contamination class | ISO 4406 class 20/18/15 NAS 1638 class 9, in line filters of 10 μm (β ₁₀ ≥ 75 recommended) |
| Fluid temperature | -20°C +60°C (standard seals) -20°C +80°C (/PE seals) |
| Coil resistance R at 20°C | 3 ÷ 3.3 Ω |
| Max solenoid current | 2,6 A |
| Max power | 40 Watt |
| Protection degree (CEI EN-60529) | IP67 |
| Duty factor | Continuous rating (ED=100%) |

5 GENERAL NOTES

AGRCZO proportional valve are CE marked according to the applicable Directives (e.g. Immunity/Emission EMC Directive and Low Voltage Directive).

Installation, wirings and start-up procedures must be performed according to the general prescriptions shown in table F003 and in the installation notes supplied with relevant components.

The electrical signals of the valve (e.g. monitor signals) must not be directly used to activate safety functions, like to switch-ON/OFF the machine's safety components, as prescribed by the European standards (Safety requirements of fluid technology systems and components-hydraulics, EN-982).

6 DIGITAL INTEGRAL DRIVERS -TERS and -AERS -OPTIONS

Standard driver execution provides on the 7 pin main connector:

Power supply - 24V_{dc} must be appropriately stabilized or rectified and filtered; a 2,5 A safety fuse is required in series to each driver power supply. Apply at least a 10000 μF/40 V capacitance to single phase rectifiers or a 4700 μF/40 V capacitance to three phase rectifiers

Reference input signal - analog differential input with 0÷+10 V_{dc} nominal range (pin D, E), proportional to desired valve pressure regulation

Monitor output signal - analog output signal proportional to the actual valve pressure regulation = 0÷+10 V_{dc} nominal range

Following options are available to adapt standard execution to special application requirements:

6.1 Option /I

It provides 4÷20 mA current reference and monitor signals instead of the standard 0÷+10 V_{dc}.

It is normally used in case of long distance between the machine control unit and the valve or where the reference signal can be affected by electrical noise; the valve functioning is disabled in case of reference signal cable breakage.

6.2 Option /Z

It provides on 12 pin main connector the following additional features

Logic power supply

Separated power supply for the solenoid (pin 1, 2) and for the digital electronic circuits (pin 9, 10).

Cutting solenoid power supply allows to interrupt the valve functioning but keeping energized the digital electronics thus avoiding fault conditions of the machine fieldbus controller. This condition allows to realize safety systems in compliance with European Norms EN13849-1 (ex EN954-1).

Enable Input Signal

To enable the driver, supply 24V_{dc} on pin 3 referred to pin 2: when the Enable signal is set to zero the valve functioning is disabled (zero current to the solenoid) but the driver current output stage is still active.

Fault Output Signal

Fault output signal indicates fault conditions of the driver (solenoid short circuits/not connected, reference signal cable broken for 4÷20mA input, etc.).

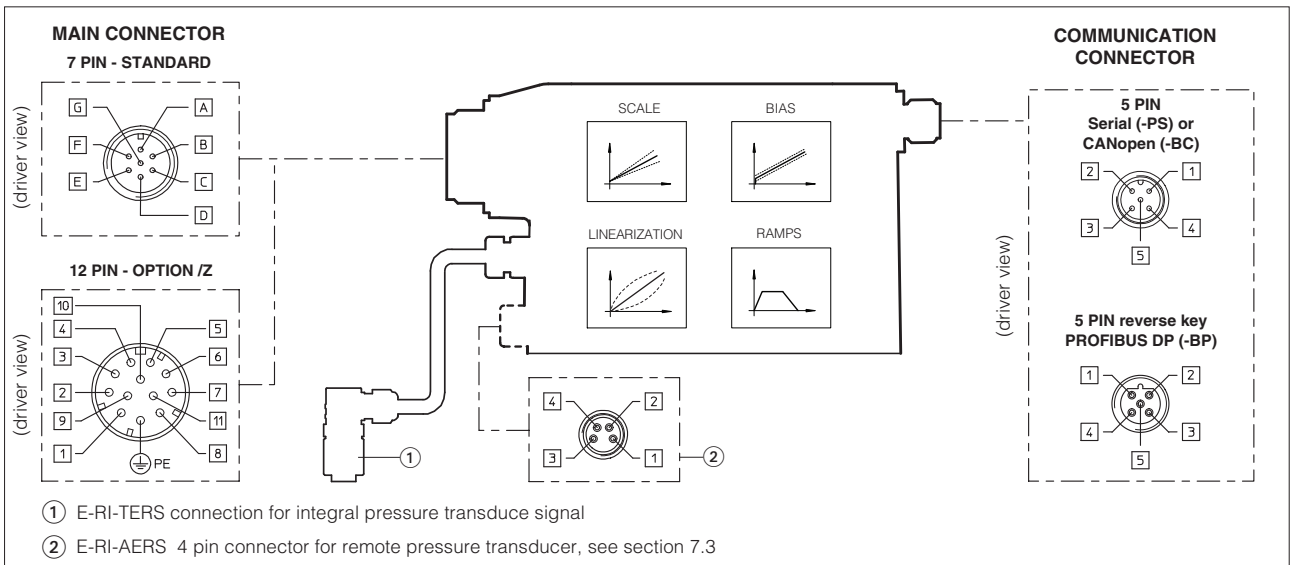
Fault presence corresponds to 0 V_{dc}, normal working corresponds to 24V_{dc} (pin 11 referred to pin 2): Fault status is not affected by the Enable input signal

6.3 Option /C (only for -AERS version)

The valve electronics is set to receive the 4÷20 mA feedback signal from the remote pressure transducer, instead of the standard 0÷10 V.

6.4 Possible combined options: /C/, /CIZ/, /CZ (only for -AERS) and /IZ.

7 DIGITAL INTEGRAL DRIVERS -TERS and -AERS -main functions and electronic connectors



7.1 ELECTRONIC CONNECTIONS - 7 & 12 PIN MAIN CONNECTOR

| Standard 7pin | /Z option 12pin | SIGNAL | TECHNICAL SPECIFICATIONS | NOTES |
|---------------|-----------------|---------|---|------------------------|
| A | 1 | V+ | Power supply 24 Vdc for solenoid power stage (and for driver logic on 7 pin connection) | Input - power supply |
| B | 2 | V0 | Power supply 0 Vdc for solenoid power stage (and for driver logic on 7 pin connection) | Gnd - power supply |
| - | 3 | ENABLE | Enable (24 Vdc) or disable (0 Vdc) the driver | Input - on/off signal |
| D | 4 | INPUT+ | Reference analog input: ± 10 Vdc maximum range (4 \div 20 mA for /I option) Normal working range 0 \div +10 Vdc (4 \div 20 mA for /I option) | Input - analog signal |
| E | - | INPUT - | differential INPUT+ and INPUT - (for 7 pin standard execution) common mode INPUT+ referred to AGND (only for /Z option) | |
| C | 5 | AGND | Ground : signal zero for MONITOR signal (pin F of 7 pin standard or pin 6 of /Z option) signal zero for INPUT+ signal (only for /Z option) | Gnd - analog signal |
| F | 6 | MONITOR | Monitor analog output: ± 10 Vdc maximum range (4 \div 20 mA for /I option) | Output - analog signal |
| - | 7 | NC | do not connect | |
| - | 8 | NC | do not connect | |
| - | 9 | VL+ | Power supply 24 Vdc for driver's logic | Input - power supply |
| - | 10 | VL0 | Power supply 0 Vdc for driver's logic | Gnd - power supply |
| - | 11 | FAULT | Driver status: Fault (0Vdc) or normal working (24 Vdc) | Output - on/off signal |
| G | PE | EARTH | Internally connected to driver housing | |

Note: A minimum time of 270 to 590 ms have be considered between the driver energizing with the 24 Vdc power supply and when the valve is ready to operate. During this time the current to the valve coils is switched to zero

7.2 ELECTRONIC CONNECTIONS - 5 PIN COMMUNICATION CONNECTORS

| PIN | -PS Serial | | -BC CANopen | | -BP PROFIBUS DP | |
|-----|------------|-------------------------------|-------------|-------------------------|-----------------|---------------------------------------|
| | SIGNAL | TECHNICAL SPECIFICATION | SIGNAL | TECHNICAL SPECIFICATION | SIGNAL | TECHNICAL SPECIFICATION |
| 1 | NC | do not connect | CAN_SHLD | Shield | +5V | for termination |
| 2 | NC | do not connect | NC | do not connect | LINE-A | Bus line (high) |
| 3 | RS_GND | Signal zero data line | CAN_GND | Signal zero data line | DGND | data line and termination Signal zero |
| 4 | RS_RX | Valves receiving data line | CAN_H | Bus line (high) | LINE-B | Bus line (low) |
| 5 | RS_TX | Valves transmitting data line | CAN_L | Bus line (low) | SHIELD | |

7.3 ELECTRONIC CONNECTIONS - 4 PIN REMOTE PRESSURE TRANSDUCER M8 CONNECTOR (only for AERS)

| PIN | standard version | /C option (Ri = 316 Ω) |
|-----|--|--|
| 1 | TR remote trasducer pressure signal (0 \div +10 Vdc) | TR remote trasducer pressure signal (4 \div 20 mA) |
| 2 | NC reserved (do not connect) | NC reserved (do not connect) |
| 3 | VT remote transducer power supply +24 Vdc | VT remote transducer power supply +24 Vdc |
| 4 | AGND signal zero for power supply and signal | NC reserved (do not connect) |

See tab. G465 for the pressure transducer characteristics and connections.

8 PROGRAMMING TOOLS - see tech table GS500

Valve's functional parameters and configurations, can be easily set and optimized using Atos E-SW programming software connected to the digital driver. E-SW software is available in different versions according to the driver's communication interface: PS (Serial) E-SW-PS, BC (CANopen) E-SW-BC and BP (PROFIBUS DP). Proportional valves with fieldbus communication interface can be directly managed by the machine control unit; it is required to implement in the machine control the standard communication as described in the user manuals supplied with the relevant programming software.

9 DIAGRAMS (based on mineral oil ISO VG 46 at 50 °C)

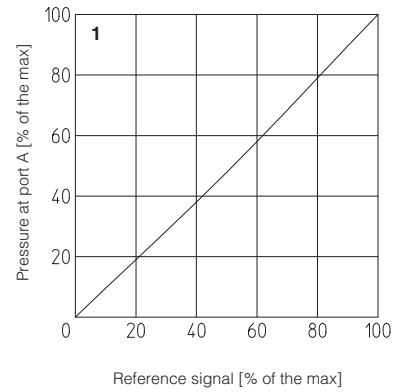
9.1 Regulation diagrams

with flow rate $Q = 10 \text{ l/min}$

1 = AGRCZO-TERS, AGRCZO-AERS

Note:

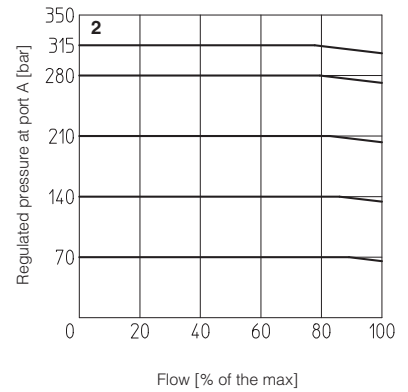
The presence of counter pressure at port T can affect the effective pressure regulation.



9.2 Pressure/flow diagrams

with reference pressure set with $Q = 10 \text{ l/min}$

2 = AGRCZO-TERS, AGRCZO-AERS



9.3 Pressure drop/flow diagrams

with reference signal "null"

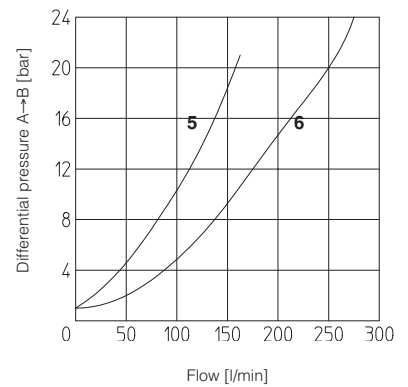
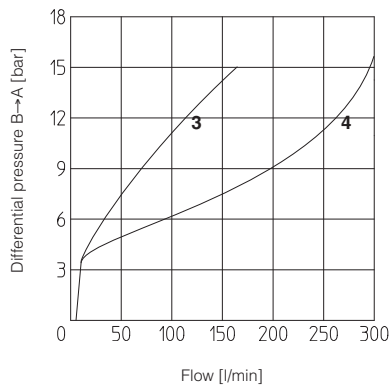
3 = AGRCZO-*10

4 = AGRCZO-*20

5 = AGRCZO-*10*/R

6 = AGRCZO-*20*/R

Dotted line = AGRCZO-*/350



9.4 Dynamic response

The response times in section 3 have to be considered as average values.

The pressure variation in consequence of a modification of the reference input signal to the valve is affected by the stiffness of the hydraulic circuit: greater is the stiffness of the circuit, faster is the dynamic response. The valves dynamic performances can be optimized depending on the stiffness characteristics of the hydraulic circuit, by setting the internal software parameters. This regulation is particularly helpful in case of circuits with accumulators and/or with great fluid volumes and/or with long hoses.

10 INSTALLATION DIMENSIONS of AGRCZO-*-10 [mm]

ISO 5781: 2000

Mounting surface: 5781-06-07-0-00 (see table P005)

Fastening bolts:

4 socket head screws M10x45 class 12.9

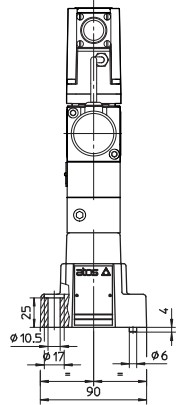
Tightening torque = 70 Nm

Seals: 2 OR 109/70; 2 OR 3068

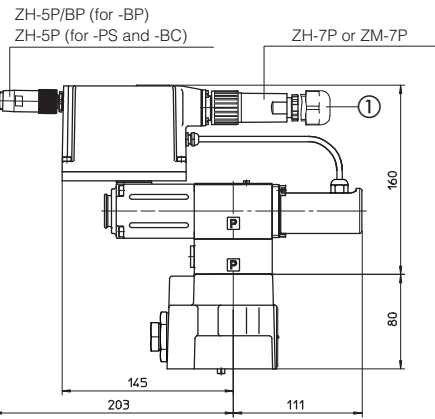
Diameters of ports A, B: $\varnothing = 14$ mm

Diameters of ports X, Y: $\varnothing = 5$ mm

- ① = 12 pin connector ZH-12P (option/Z)
- ② = 4 pin connector ZH-4P-M8/5 (see tab. G205)
- ③ = remote pressure transducer, to be ordered separately (see tab. G465)

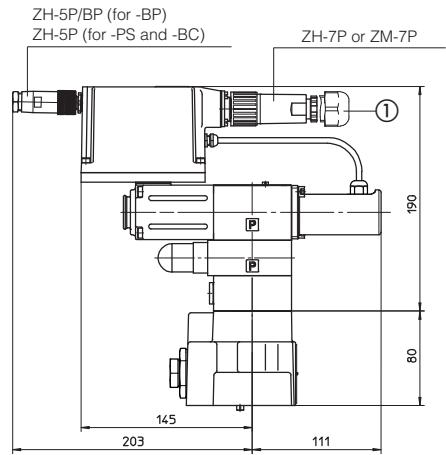


AGRCZO-TERS-*-10



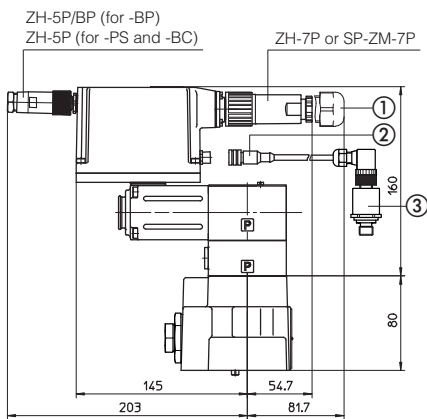
Mass: 5,9 Kg

AGRCZO-TERS-*-10/*/P**



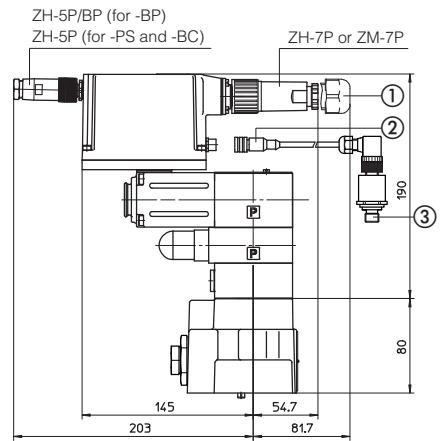
Mass: 6,4 Kg

AGRCZO-AERS-*-10



Mass: 5,7 Kg

AGRCZO-AERS-*-10/*/P**



Mass: 6 Kg

ISO 5781: 2000

Mounting surface: 5781-08-10-0-00 (see table P005)

Fastening bolts:

4 socket head screws M10x45 class 12,9

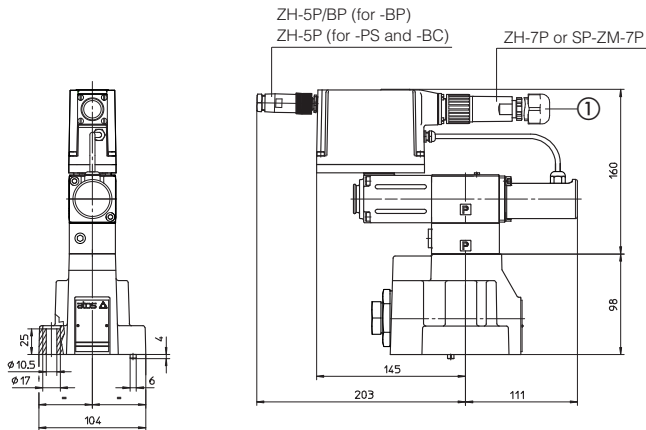
Tightening torque = 70 Nm

Seals: 2 OR 109/70 ; 2 OR 4100

Diameters of ports A, B: $\varnothing = 22$ mm

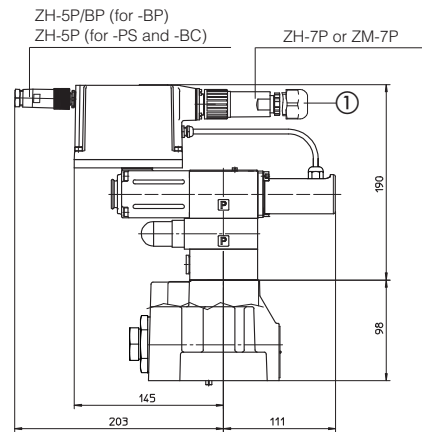
Diameters of ports X, Y: $\varnothing = 5$ mm

AGRCZO-TERS-*-20



Mass: 8,3 Kg

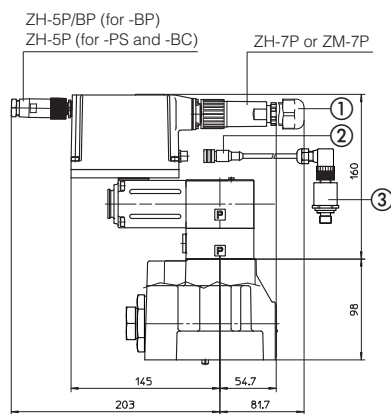
AGRCZO-TERS-*-20//P**



Mass: 8,8 Kg

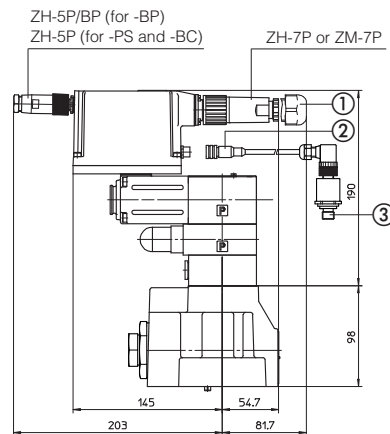
- ① = 12 pin connector ZH-12P (option/Z)
- ② = 4 pin connector ZH-4P-M8/5 (see tab. G205)
- ③ = remote pressure transducer, to be ordered separately (see tab. G465)

AGRCZO-AERS-*-20



Mass: 8,2 Kg

AGRCZO-AERS-*-20//P**



Mass: 8,7 Kg

11 MODEL CODES OF POWER SUPPLY AND COMMUNICATION CONNECTORS (to be ordered separately)

| VALVE VERSION | -AERS, -TERS | | -AERS/Z -TERS/Z | -Serial (-PS) or CANopen (-BC) | PROFIBUS DP (-BP) | Pressure transducer only for -AERS |
|-------------------|--------------|-------|--------------------|-----------------------------------|-------------------|---------------------------------------|
| CONNECTOR CODE | ZH-7P | ZM-7P | ZH-12P | ZH-5P | ZH-5P/BP | ZH-4P-M8/5 (1) |
| PROTECTION DEGREE | IP67 | IP67 | IP67 | IP67 | IP67 | IP67 |
| DATA SHEET | G205, K500 | | | | | |

(1) M8 connector ZH-4P-M8/5 moulded on cable 5 mt length for pressure transducer