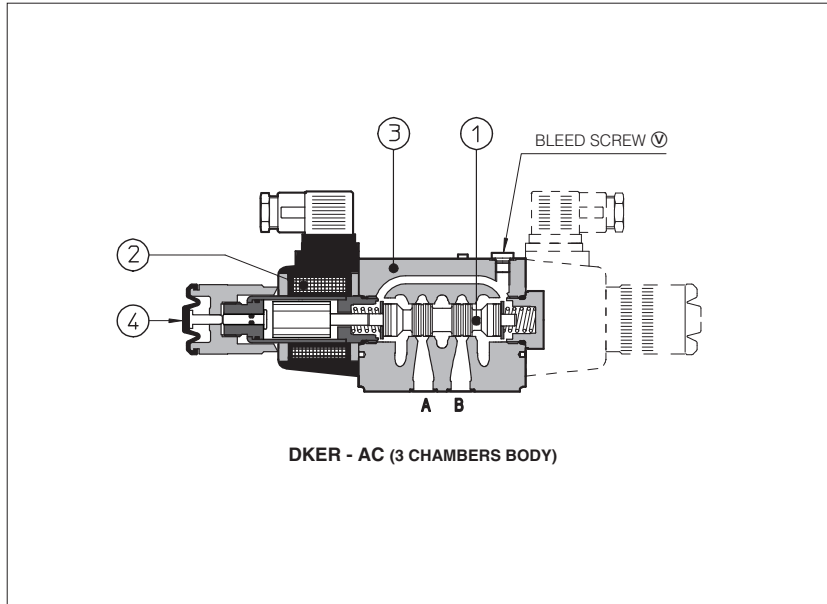


# Solenoid directional valves type DKER

direct operated, ISO 4401 size 10

**obsolete components - availability on request**



**DKER - AC (3 CHAMBERS BODY)**

Spool type, direct operated solenoid valves equipped with threaded type, high performance solenoids certified according to the North American standard **cURus**

### Configurations and construction

The valves are available in three or four way configurations and with two or three spool positions, see section 2.

The spools 2 are interchangeable and they are available in a wide range of hydraulic configurations, see section 2.

The solenoids 3 have two different executions for AC or DC power supply and they are composed by:

- wet type screwed tube with integrated manual override pin 4 (the tube are different for AC and DC power supply).
- AC and DC coils see section 5

The coils are interchangeable for the same type of power supply AC or DC and they can be easily replaced without tools. The coils are fully encapsulated with the following temperature classes:

- class H for DC coils
- class F for AC coils

The valve body 1 is 5 chambers type, for all DC versions and for AC version with option /F\*. Standard AC version use 3 chambers type body.

The optimized internal flow paths, largely cored with extrawide channels to the tank port, ensure low pressure drops.

### Options

The following optional devices are available for DKER:

- prolonged manual override protected with rubber cap for easy hand operation
- control devices of the valve switching time
- spool position monitor devices for safety applications
- external drain port Y for high tank pressure (only DC version)

### Surface mounting ISO 4401 size 10

**Max flow up to 150 l/min**

**Max pressure: 350 bar**

## 1 MODEL CODE

**DKER - 1 63 1/2 /A - X 24 DC \*\* /\***

Directional control valves  
ISO 4401 size 10

Valve configuration, see section 2

**61** = single solenoid, center plus external position, spring centered

**63** = single solenoid, 2 external positions, spring offset

**67** = single solenoid, center plus external position, spring offset

**70** = double solenoid, 2 external positions, without springs

**71** = double solenoid, 3 positions, spring centered

**75** = double solenoid, 2 external positions, with detent

Other configurations are available on request.

Spool type, see section 2

Seals material:  
omit for NBR  
(mineral oil &  
water glycol)  
**PE** = FPM

Series number

Voltage code, see section 5

**00-AC** = AC solenoids without coils

**00-DC** = DC solenoids without coils

**X** = without connector

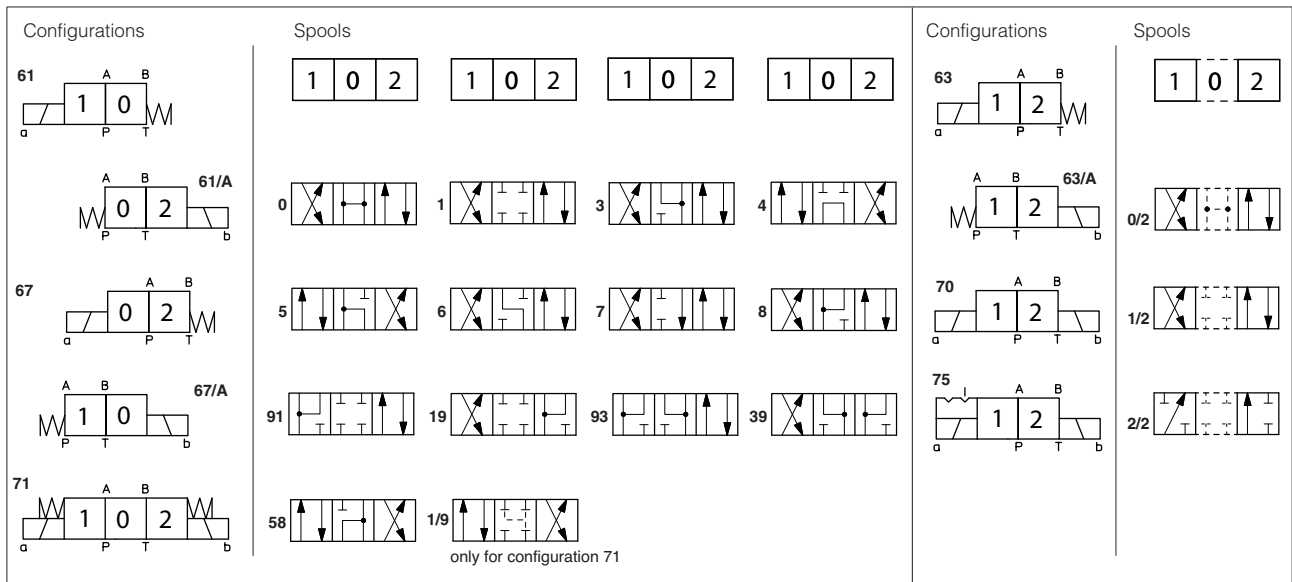
See note 2 at section 4 for available connectors, to be ordered separately

Coils with special connectors, see sect. 6

**XJ** = AMP junior Timer connector

Options, see note 1 at section 4

## 2 CONFIGURATIONS and SPOOLS



### 3 MAIN CHARACTERISTICS OF DKER DIRECTIONAL VALVES

Assembly position / location	Any position for all valves except for type - 170* (without springs) that must be installed with horizontal axis if operated by impulses
Subplate surface finishing	Roughness index Ra 0,4 - flatness ratio 0,01/100 (ISO 1101)
Ambient temperature	from -20°C to +70°C.
Fluid	Hydraulic oil as per DIN 51524 .... 535; for other fluids see section 11
Recommended viscosity	15 ÷ 100 mm <sup>2</sup> /s at 40°C (ISO VG 15 ÷ 100)
Fluid contamination class	ISO 4406 class 21/19/16 NAS 1638 class 10, in line filters of 25 µm (β <sub>25</sub> ≥ 75 recommended)
Fluid temperature	-20°C +60°C (standard seals and water glycol) -20°C +80°C (/PE seals)
Flow direction	As shown in the symbols of table 2
<b>Operating pressure</b>	
For versions with proximity switches (FC, /FI and /FIE versions) port Y must be drained	<b>DKER</b> Ports P,A,B: <b>350 bar</b> ; Port T: <b>160 bar</b> for AC solenoid; <b>210 bar</b> for DC solenoids; <b>250 bar</b> for option Y
Rated flow	See diagrams Q/Δp at section 7
<b>Maximum flow</b>	<b>150 l/min</b> , see operating limits at section 8

#### 4.1 Coils characteristics

Insulation class	<b>H</b> (180°C) for DC coils <b>F</b> (155°C) for AC coils Due to the occurring surface temperatures of the solenoid coils, the European standards EN ISO 13732-1 and EN ISO 4413 must be taken into account
Connector protection degree	IP 65
Relative duty factor	100%
Supply voltage and frequency	See electric feature 5
Supply voltage tolerance	± 10%
Certification (only for DKER)	<b>cURus</b>

### 4 NOTES

#### 1 Options

- A** = Solenoid mounted at side of port B (only for single solenoid valves). In standard versions, solenoid is mounted at side of port A.
- WP** = prolonged manual override protected by rubber cap - see section 13.
- WPD/KER-DC** = (only for DKER-DC) manual override with detent, to be ordered separately, see tab. K150
- L, L1, L2, L3, LR** see section 11 = device for switching time control (only for DC solenoids).
- F\*** = 5 chambers body for DC and AC versions with proximity switch for spool position monitoring: see tab. E110.
- Y** = external drain, only for DC version, to be selected if the pressure at T port is higher than the max allowed limits.

#### 2 Type of electric connectors DIN 43650, to be ordered separately - see section 14.

- 666** = standard connector IP-65 for direct connection to electric supply source.
- 667** = as 666, but with built-in signal led.
- 669** = with built-in rectifier bridge for supplying DC coils by alternate current (AC 110V and 230V - I<sub>max</sub> 1A).

#### 3 Spools

- spools type **0** and **3** are also available as **0/1** and **3/1** with restricted oil passages in central position, from user ports to tank.
- spools type **1** is also available as **1/1**, properly shaped to reduce the water-hammer shocks during the switching.
- spool type **1/3** (only for execution DKER-1611/3/AY DC version) is particularly used as shut-off valve for safety applications, consult our technical office.
- spool type **1/9** has closed center in rest position but it avoids the pressurization of A and B ports due to the internal leakages.
- other types of spools can be supplied on request.

### 5 ELECTRIC FEATURES

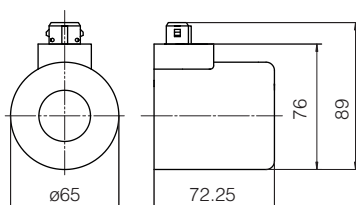
External supply nominal voltage ± 10%	Voltage code	Type of connector	Power consumption (2)	Code of spare coil	
				DKE	DKER
12 DC	<b>12 DC</b>	666 or 667	36 W (DKE) 39 W (DKER)	CAE-12DC	CAER-12DC
14 DC	<b>14 DC</b>			CAE-14DC	CAER-14DC
24 DC	<b>24 DC</b>			CAE-24DC	CAER-24DC
28 DC	<b>28 DC</b>			CAE-28DC	CAER-28DC
110 DC	<b>110 DC</b>			CAE-110DC	CAER-110DC
125 DC	<b>125 DC</b>			-	CAER-125DC
220 DC	<b>220 DC</b>	669	36 W (DKE) 39 W (DKER)	CAE-220DC	CAER-220DC
110/50/60 AC	<b>110/50/60 AC</b>			CAE-110/50/60AC (1)	CAER-110/50/60AC (1)
230/50/60 AC	<b>230/50/60 AC</b>			CAE-230/50/60AC (1)	CAER-230/50/60AC (1)
115/60 AC	<b>115/60 AC</b>			CAE-115/60AC	CAER-115/60AC
230/60 AC	<b>230/60 AC</b>			CAE-230/60AC	CAER-230/60AC
110/50/60 AC	<b>110 DC</b>			CAE-110DC	CAER-110DC
230/50/60 AC	<b>220 DC</b>	CAE-220DC	CAER-220DC		

- (1) In case of 60 Hz voltage frequency the performances are reduced by 10-15% and the power consumption is 80 VA for DKE and 90 VA for DKER.
- (2) Average values based on tests performed at nominal hydraulic condition and ambient/coil temperature of 20°C.
- (3) When solenoid is energized, the inrush current is approx 3 times the holding current. Inrush current values correspond to a power consumption of about 280 VA for DKE and 320 VA for DKER.

### 6 COILS TYPE CAE\* and CAER\* WITH SPECIAL CONNECTORS (only for 12DC, 14DC, 24DC and 28DC)

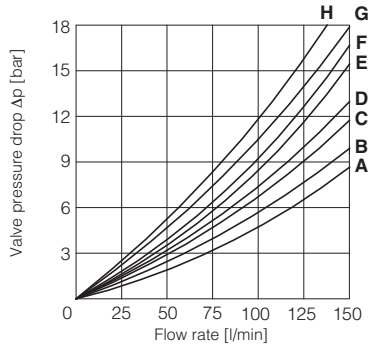
#### Options -XJ

Coil type CAERJ  
AMP Junior Timer connector  
Protection degree IP67



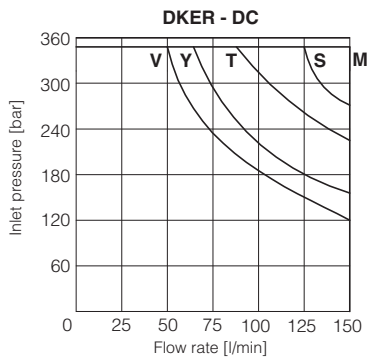
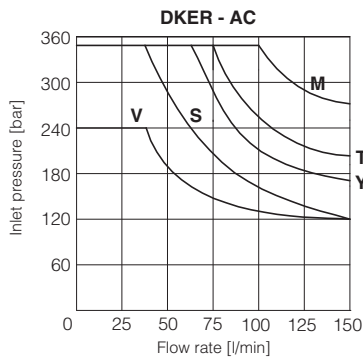
**7 Q/ΔP DIAGRAMS** based on mineral oil ISO VG 46 at 50°C

Flow direction Spool type	Flow direction					
	P→A	P→B	A→T	B→T	P→T	B→A
0, 0/1, 0/2, 2/2	A	A	B	B		
1, 1/1, 1/3, 6, 8	A	A	D	C		
3, 3/1, 7	A	A	C	D		
4	B	B	B	B	F	
5	A	B	C	C	G	
1/2	B	C	C	B		
2/7	D			F		
5/7	B			A	E	
19	A	D	C			H



**8 OPERATING LIMITS** based on mineral oil ISO VG 46 at 50°C

The diagrams have been obtained with warm solenoids and power supply at lowest value ( $V_{nom} - 10\%$ ). The curves refer to application with symmetrical flow through the valve (i.e. P→A and B→T). In case of asymmetric flow and if the valves have the devices for controlling the switching times the operating limits must be reduced.



Curve	Spool type	
	AC	DC
M	0/1, 5/7, 1/3	0, 0/1, 1, 1/1, 3, 3/1, 1/2, 0/2, 8
S	2/7, 4, 5, 19	1/3, 5/7, 6, 7
Y	1, 1/2, 0/2	4, 5, 2/7
V	6, 7, 8, 2/2	2/2
T	0, 1/1, 3, 3/1	19
U	-	4, 5
Z	-	0/1, 1/1, 3/1

**9 SWITCHING TIMES** (average values in msec)

Valve	Switch-on AC	Switch-on DC	Switch-off AC	Switch-off DC
DKER + 666 / 667	40	60	25	35
DKER + 669	60	—	90	—
DKER-*/L*	—	75÷150	—	45÷150

Test conditions:

- 50 l/min; 150 bar
- nominal supply voltage
- 2 bar of back pressure on port T
- mineral oil ISO VG 46 at 50°C

The elasticity of the hydraulic circuit and the variations of the hydraulic characteristics and temperature affect the response time.

**10 SWITCHING FREQUENCY**

Valve	AC (cycles/h)	DC (cycles/h)
DKER + 666 / 667	7200	15000

**11 DEVICES FOR SWITCHING TIME CONTROL**

These devices are only available for DC valve version (5 chambers body) and can control the switching time and therefore reduce the coil hammering in the hydraulic circuit. The different types are available shown in the figure.

- **L**: controls and regulates the switching time in both moving directions of the spool: regulation is carried out by screwing/unscrewing the element itself (regulating choke);
- **L1/L2/L3**: controls the switching time in both moving directions of the spool by means of fixed calibrated restrictor (gauged flow). The restrictor is positioned in the valve's body  $\varnothing L1 = 1,25 \text{ mm}$ ;  $\varnothing L2 = 1 \text{ mm}$ ;  $\varnothing L3 = 0,75 \text{ mm}$ ;
- **LR**: controls and regulates the switching time in the B→A direction of the spool movement. The device does not control the switching time (standard time) in the opposite direction A→B of the spool movement.

