

Basics for digital electrohydraulics

1 DIGITAL TECHNOLOGY FOR PROPORTIONAL VALVES

Modern world is driven by digital electronics: computers, automation systems, cars and missiles, telecommunications and advanced network are all based on digital technology... ..thanks to its typical benefits in comparison with analog: fast and powerful data processing, easy programmability, high immunity to electromagnetic noise, process parameters and data storage.

In electrohydraulics, digital electronics gives important advantages:

- better performances of electrohydraulic components: hysteresis, response time, linearity
- numerical software setting of hydraulic parameters (scale, bias, ramp, compensation of non-linearities) for full repeatability and easy data storage
- diagnostic (fault, monitor) and computer assisted maintenance of machines and systems
- direct interfacing to fieldbus networks

Atos, leader in pioneering proportional electrohydraulics, is active from many years on digital electrohydraulics including: simulation models of valves and systems, research and testing of new DSP microcontrollers, R&D of new solutions.

New digital electrohydraulics with on board electronics enable new functionalities within the conventional control architectures and represent the fundamental premise to realize new compact machines with high technological contents.

The digital electronics integrate several logic and control functions (distributed intelligence) and make it feasible and inexpensive the introduction in the hydraulic system of the most modern fieldbus communication networks.

Atos digital driver's range:

- **E-RI-AEB/AES** basic and full version for valves without transducer
- **E-RI-TEB/LEB** basic version for valves with single/double LVDT transducer
- **E-RI-TES/LES** full version for valves with single/double LVDT transducer
- **E-RI-REB/RES** basic and full version for valves with integral pressure transducer
- **E-RI-PES** for pumps with alternated P/Q control

2 COMMUNICATION INTERFACES

The communication interface is the access port through which the valve receives commands and/or setting parameters and it returns information to the fieldbus master.

Atos digital proportional valves are available with 4 optional communication interfaces:

- basic **NP** and **PS**: USB or serial programming RS232 interface.
The main feature of this basic version is the full interchangeability with the corresponding analog executions, in fact the reference and the monitor signals are analog, whereas the USB/serial interface allows to manage the diagnostics and to set the best configuration of the valve for the application's requirements
- option **BC**: CANopen
- option **BP**: Profibus DP
- option **EH**: EtherCAT
- option **EW**: POWERLINK
- option **EI**: EtherNet/IP

The valves with option BC, BP, EH, EW and EI can be connected to the fieldbus network and thus digitally operated by the machine control unit (see table GS510).

The functional parameters can be set via fieldbus using the standard communication protocol via machine control unit, or alternatively using the PC graphic software E-SW-FIELDBUS, with the relevant USB cables and isolator (see table GS500).

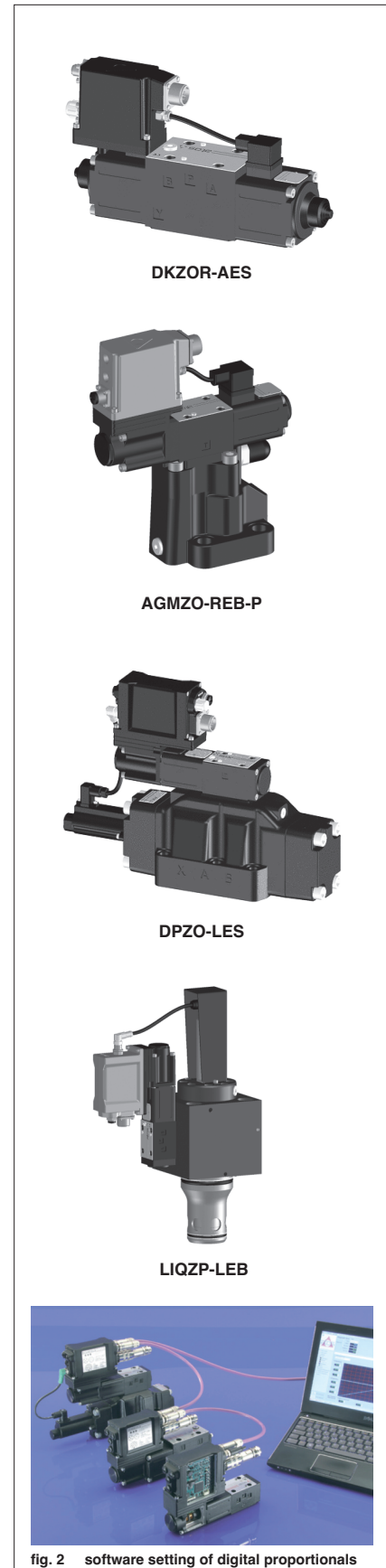
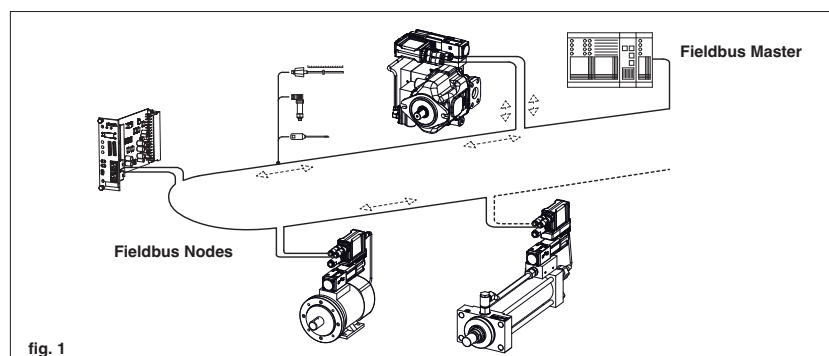
For start-up or maintenance operations, the valves with BC, BP, EH, EW and EI interfaces can be also operated with analogue signals via the 7 or 12 pins of main connector.

3 SETTINGS AND DIAGNOSTICS USING ATOS PROGRAMMING SOFTWARE

A large number of the functional parameters of the valve can be easily set trough the communication interface, using the Atos E-SW programming software, as:

- the bias and scale
- the ramps, corresponding to the transition time from 0% to 100% of the valve's regulation
- the linearization of the hydraulic regulation
- dither frequency

Many other regulations, including the valve functional diagnostic are available, see table G001 for additional information.



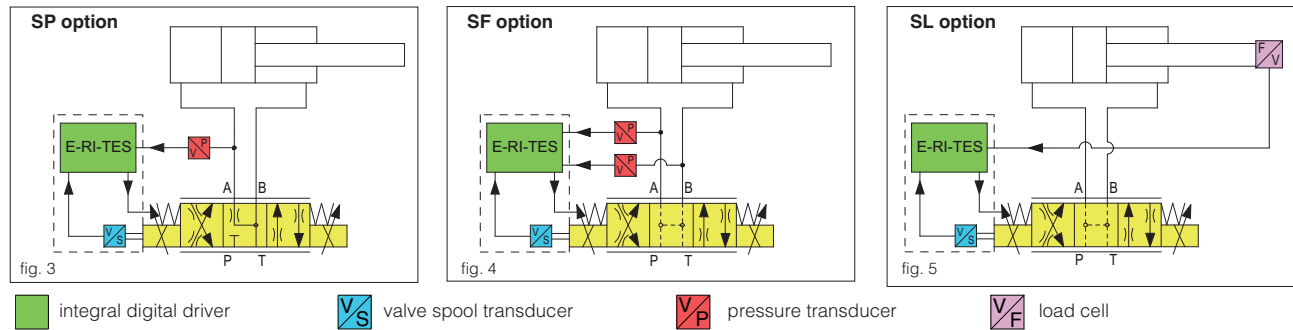
4 PRESSURE-FORCE/FLOW COMBINED CONTROLS FOR PROPORTIONAL DIRECTIONAL VALVES, see table GS212

In most of the machines functions, the typical movement of a single actuator requires direction, speed and sometime force regulations, normally performed by different valves.

The integral digital drivers with SP, SF, SL options add the pressure or force closed loop to the spool position control of standard proportional directional valves. A single proportional valve with P/Q option allows to manage complex machine operations requiring high performance combined regulations (typical application: injection cycle or mould motion in plastic machinery).

The closed loop pressure or force control requires the installation in the system of one/two remote pressure transducers or a load cell, to be connected to the valve digital driver. The option SP performs the closed loop pressure control in one direction by using 1 remote pressure transducer (see fig. 3). The other two options perform the closed loop force control by 2 remote pressure transducers (option SF, see fig. 4) or load cell (option SL, see fig. 5).

The pressure (force) and flow levels are regulated with two different command signals. The selection from pressure-force to flow control and vice versa is self performed by the digital driver through dedicated algorithm.



5 COMBINED P/Q CONTROLS FOR VARIABLE PISTON PUMPS, see tech table AS170 and GS215

The digital driver E-RI-PES for PVPC-PE(R)S variable displacement axial piston pumps (see fig. 6), integrates the digital combined closed loop pressure and flow control with the electronic max power limitation. The PERS pump directly controls the system pressure and the speed of machine actuators.

A multiple set of PID parameters can be real time selected during the axis motion via the 12 pin connector (option /S) or through the BC, BP, EH, EW or EI interfaces, to optimize the P/Q control performances.



fig. 6

6 DIGITAL AXIS CONTROLLERS, see table FS230, G340

The digital axis controllers perform accurate closed loop position controls with additional speed or pressure/force regulations.

They are available in two executions with different characteristics to better comply the several applications requirements:

Z-RI-TEZ, integral to the proportional directional valve ①. It can be supplied pre-assembled with Atos servocylinder ② making a compact motion control unit called "servoactuator" (see fig. 8)

Z-ME-KZ, Eurocard format, with extended electronic interfaces

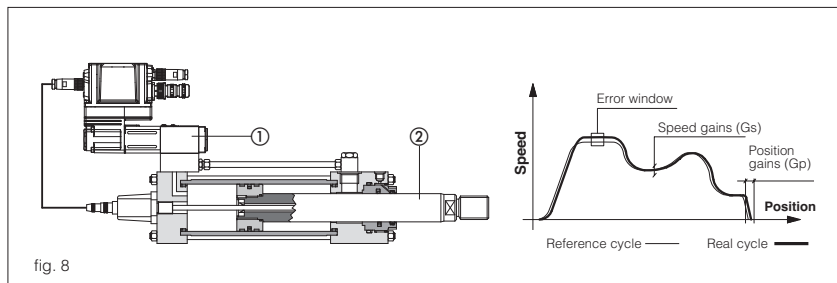


fig. 8